

# Send

## Name prayers

D  
O  
W  
N

Print your name on the left side of the space below.

Next to each letter of your name, print or draw something or someone to pray for.



Begin praying the name prayer with these words:  
“Dear Lord, hear my prayer.”

Name the people or things in your list.  
End with these words: “*Thank you, God,  
for your love. Amen.*”



Try name prayers using the names of family members  
or friends.

## This week

Pray to “talk” to God about anything—at any time.

# Kids Celebrate

Lectionary 17



## gather

**Welcome to worship.** Today Jesus invites us to use prayer to ask for the things we need. Which pictures match? Draw a line between them and point to them in order when you hear the gospel story today from Luke 11.



30



# hear & celebrate

## Lord, teach us to pray

Luke 11:1-13

The disciples asked Jesus to teach them to pray. Jesus taught them the Lord's Prayer. You can find the Lord's Prayer in the Bible (Luke 11:2-4 or Matthew 6:9-13). Followers of Jesus have added the last sentence to the prayer as a reminder that everything belongs to God.



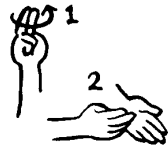
**Use your hands to learn the Lord's Prayer. When everyone prays together in worship you can join them with your words and your movements.**



Our **Father** in heaven,



Save us from the time of **trial**.



**hallowed** be your name.



And deliver us from **evil**.



Your kingdom come.  
Your will be done  
on **earth**



For the **kingdom**,



as in **heaven**.



the **power**,



Give us today our  
daily bread.



and the **glory**  
are yours,  
now and forever.



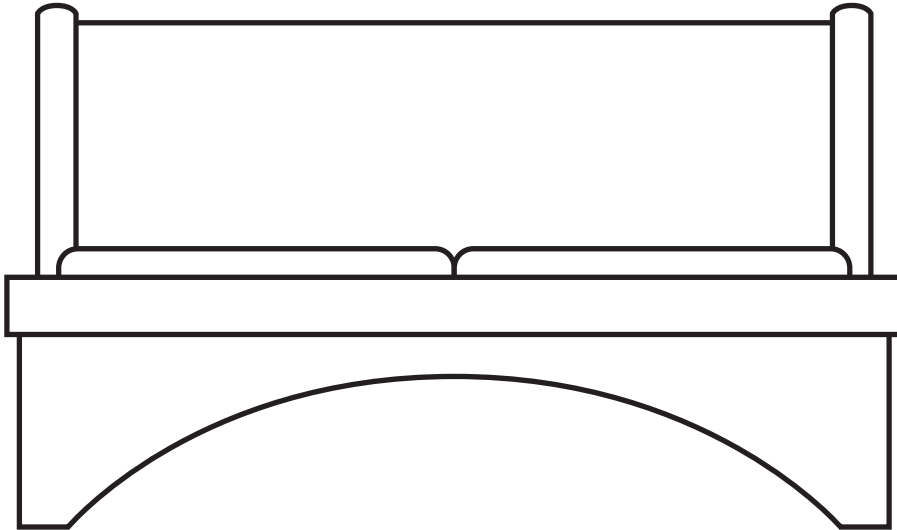
**Forgive** us our sins,  
as we **forgive** those  
who sin against us.



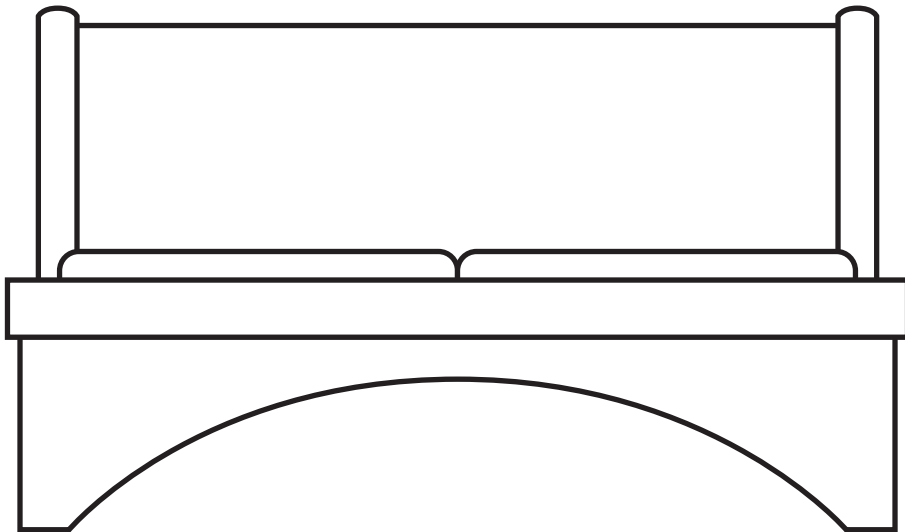
**Amen**

## Your Pew

Who sits next to you at church? On the first pew, draw the people you are sitting with today. On the second pew, draw someone you could invite to sit next to you in worship next week!



PEOPLE I'M SITTING NEXT TO IN CHURCH TODAY



SOMEONE I COULD INVITE TO CHURCH NEXT WEEK



# READER

Pentecost 7

- Today is the **seventh** Sunday after Pentecost.
- Pentecost begins **50 days** after Easter.
- During Pentecost we remember **how to pray**.

## Bird Business

Mama Bird has mixed up her babies. Some of the baby birds in this tree belong to Mama Bird, and some don't. Can you circle the birds that are not like the others?

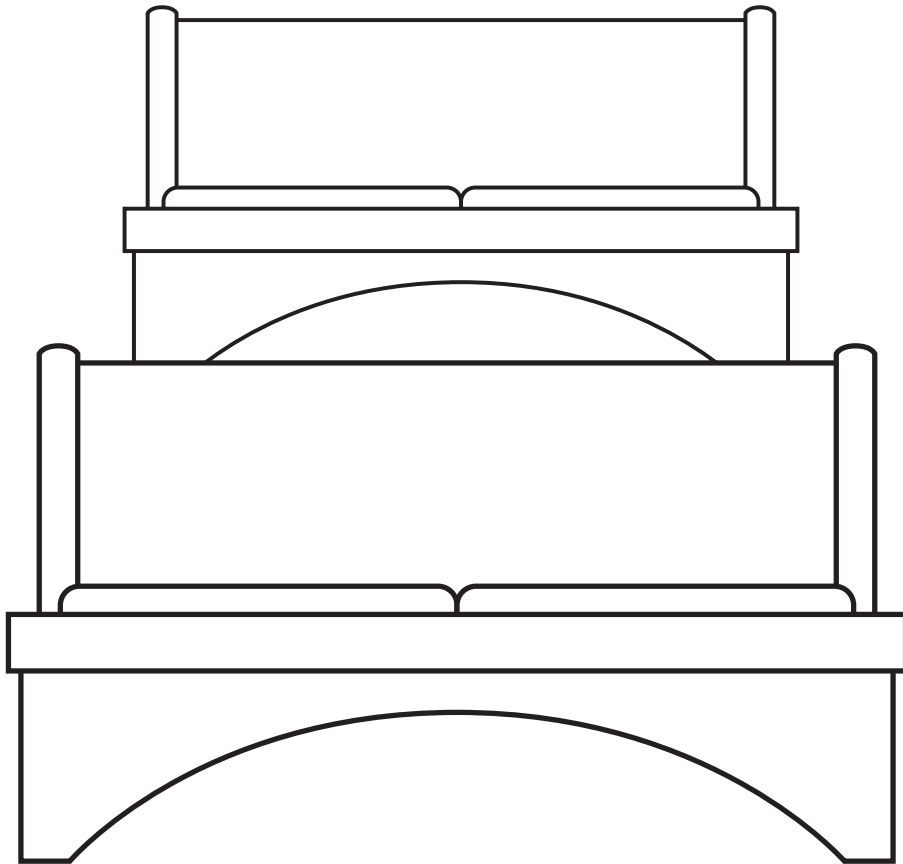




Do you sit in chairs or pews? Who do you sit next to in worship?

**Draw them here and have them write in their names.**

Name: \_\_\_\_\_ Name: \_\_\_\_\_



Name: \_\_\_\_\_ Name: \_\_\_\_\_



# PRE-READER

Pentecost 7

- Today is the **seventh** Sunday after Pentecost.
- One symbol during the Pentecost season is a **tree**.
- The color of Pentecost is **green**.
- Green trees help us remember that **our faith can grow**.

---

**Pretend you are a bird. What do trees look like from your point of view? Draw them into the scene below!**





**Jesus taught his disciples about prayer.**

In today's Bible story, Jesus teaches us how to pray by giving us the Lord's Prayer.

**Color in the child praying using the numbers below.**

**Key:**

**1 - Red**

**2 - Blue**

**3 - Green**

**4 - Skin Tone**

**5 - Brown**

